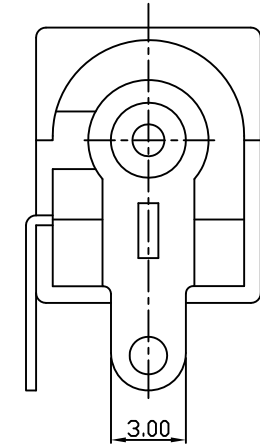
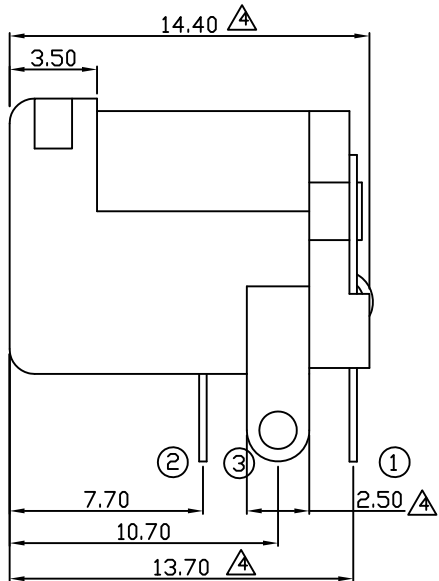
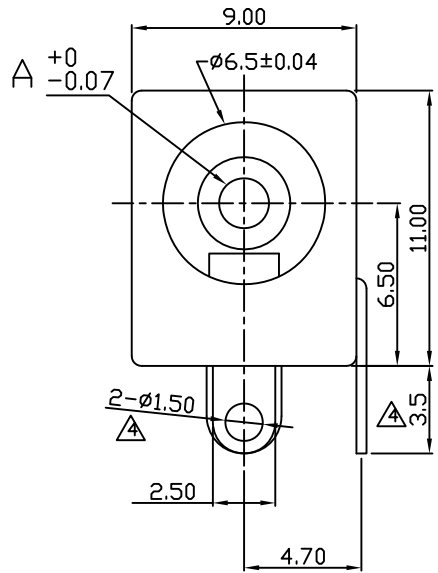
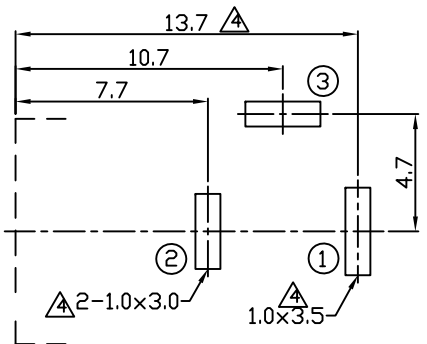
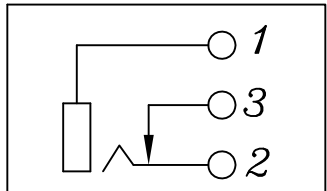
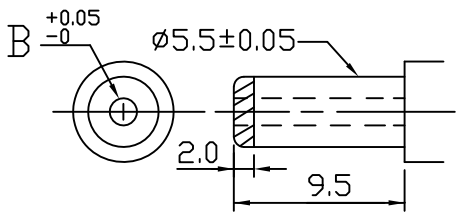


HISTORY X COUNT	DATE	ECN NO.	REV.	REVISION	SIGN.
△ x3	07/19/05'		B	電鍍由TIN改為SILVER	CHRIS
△ x1	06/01/06'		C	修改尺寸	CHRIS
△ x5	26/JUN/07'		D	修改公差	CHRIS
△ x8	21/AUG/08'		E	修改尺寸	CHRIS



PLUG



PCB LAYOUT
(BOTTOM VIEW)

P/N	Dimension	
	A	B
LD-0202B-2.0	∅2.0	∅2.05
LD-0202B-2.5	∅2.5	∅2.55



LIH SHENG PRECISION INDUSTRIAL CO., LTD.

NO	PART NAME	Q'TY	MATERIAL	PLATED	REMARK
6	COVER	1	PBT		BLACK
5	HOUSING	1	PBT		BLACK
4	PIN	1	BRASS	NICKEL	
3	TERMINAL 3	1	BRASS	SILVER	
2	TERMINAL 2	1	P.B.S	SILVER	
1	TERMINAL 1	1	BRASS	SILVER	

TOLERANCE X ±0.5	Material		PART NAME	DC POWER JACK	
X.X ±0.3	Thicness		PART NO.	LD-0202B-	
X.XX ±0.15	Disposal		DATE	07/21/05'	REV: E
⊕	UNIT	SCALE	DRAW	CHECK	APPROVE
	mm	3:1	Chris	Jacky	Ken