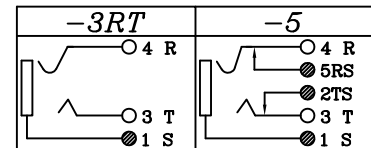
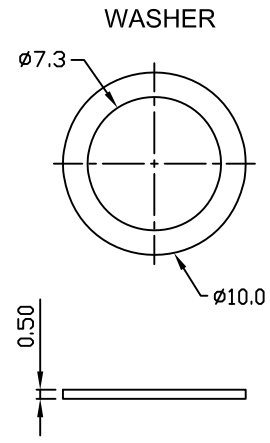
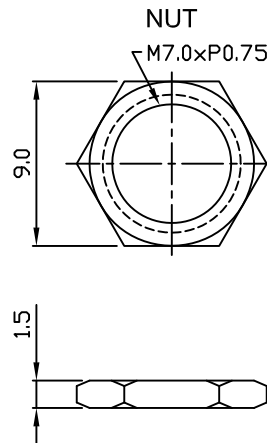
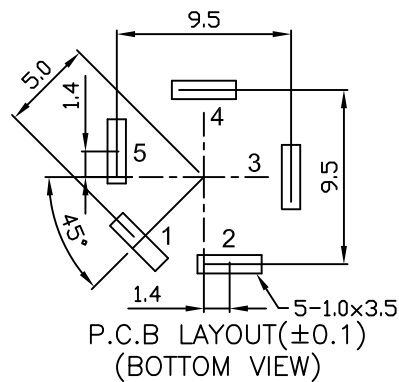
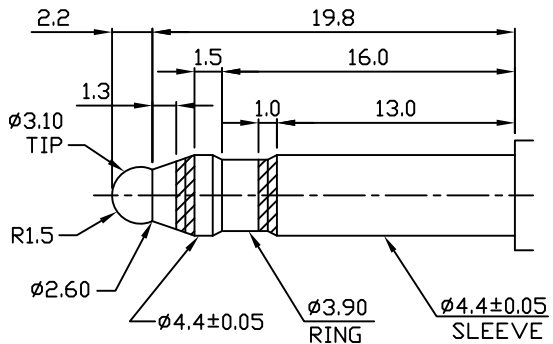


PLUG



9	WASHER	1	SPCC	NICKEL	
8	NUT	1	BRASS	NICKEL	
7	HOUSING	1	PBT		BLACK
6	SCREW	1	BRASS	NICKEL	
5	RING SHUNT	1	BRASS	TIN	
4	RING	1	P.B.S	TIN	
3	TIP	1	P.B.S	TIN	
2	TIP SHUNT	1	BRASS	TIN	
1	SLEEVE	1	BRASS	TIN	
NO	PART NAME	Q'TY	MATERIAL	PLATED	REMARK



LIH SHENG PRECISION INDUSTRIAL CO., LTD.

TOLERANCE	Material		PART NAME	MINI TELEPHONE JACK	
X. ±0.5	Thickness		PART NO.	LJA0453-5(TIN)	
X.X ±0.3	Disposal		DATE	07/JAN/16'	REV:A
X.XX ±0.15	UNIT	SCALE	DRAW	CHECK	APPROVED
	mm	2.5:1	Chris	Wen1	Yen