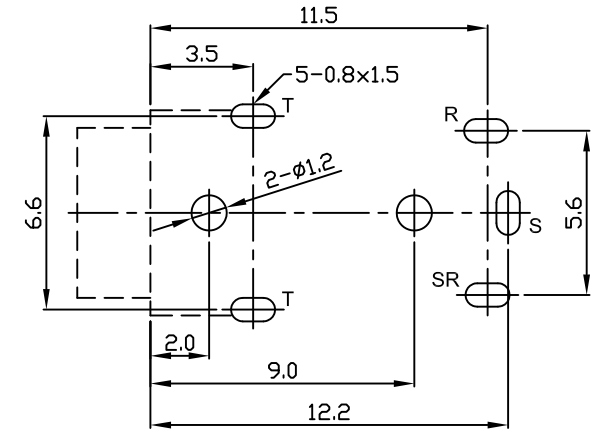
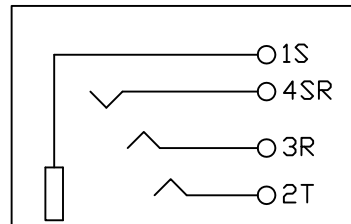
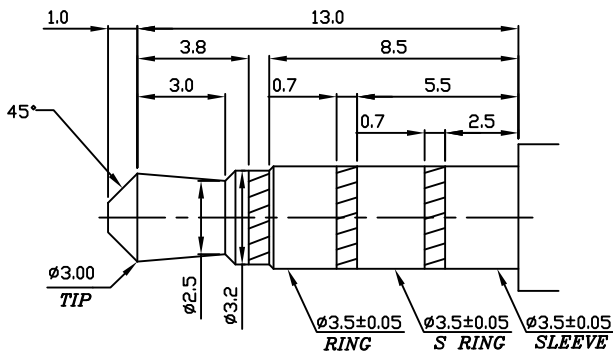


4P PLUG



P.C.B LAYOUT
(BOTTOM VIEW)



LIH SHENG PRECISION
INDUSTRIAL CO., LTD.

4	HOUSING	1	PBT		BLACK
4	TIP	1	P.B.S	Silver	
3	RING	1	P.B.S	Silver	
2	SLEEVE TERMINAL	1	BRASS	Silver	
1	SLEEVE	1	P.B.S	Silver	
NO	PART NAME	Q'TY	MATERIAL	PLATED	REMARK

TOLERANCE X. ±0.5 X.X ±0.3 X.XX ±0.15	Material		PART NAME	EARPHONE JACK	
	Thickness		PART NO.	LJE0371-4P	
	Disposal		DATE	09/11/00'	REV: F
	UNIT	SCALE	DRAW	CHECK	APPROVED
	mm	4:1	Chris	Jacky	Ken